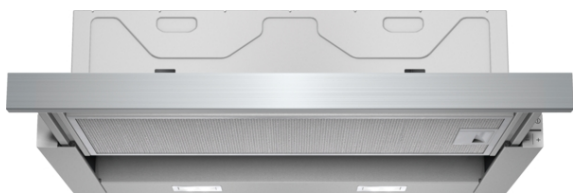


iQ300
Slimline cooker hood
LI64MA530B Silver metallic lacquer
Extractor hood with telescopic canopy

A



For clean lines the powerful telescopic cook hood disappears into an upper cabinet, perfect for modern kitchens.

- ✓ The energy-saving LED lighting ensures optimal visibility when cooking.
- ✓ When required the intensive setting temporarily increases the extraction rate, with automatic revert after 6 min.
- ✓ The 420 m³/h extraction rate supplies clean air when cooking.
- ✓ At 45 dB the hood is extremely quiet when being used.

Features

Technical Data

Typology : Pull-out
 Approval certificates : CE, VDE
 Length of electrical supply cord (cm) : 175
 Required niche size for installation (HxWxD) : 162mm x 526mm x 290mm
 Minimum distance above an electric hob : 430
 Minimum distance above a gas hob : 650
 Net weight (kg) : 8.0
 Control panel : Electronic
 Max. air extraction (m³/h) : 270
 Boost position output recirculating (m³/h) : 170
 Max. recirculation (m³/h) : 160
 Boost position air extraction (m³/h) : 420
 Number of lights (Stck) : 2
 Noise level (dB) : 59
 Diameter of air outlet (mm) : 150 / 120
 Grease filter material : Washable aluminium
 EAN code : 4242003745335
 Connection rating (W) : 76
 Current (A) : 10
 Nominal power (kW) : 220-240
 Frequency (Hz) : 60; 50
 Plug type : GB plug
 Installation type : Half-integrated



Optional accessories

LZ46810	CleanAir active carbon filter
LZ46800	CleanAir Recirculation Kit
LZ45510	Active carbon filter
LZ45450	Recirculating kit

iQ300

Slimline cooker hood

LI64MA530B Silver metallic lacquer

Extractor hood with telescopic canopy

Features

Design

- 60 cm wide
- Silver metallic lacquer
- Electronic control via Soft touch button control
- Neutral white lights
- For installation into a 60cm wide cupboard

Key features

- Soft touch button control for extractor speeds and light
- 2 x LED lights
- 2 x metal grease filter cassettes
- Steel filter cover
-

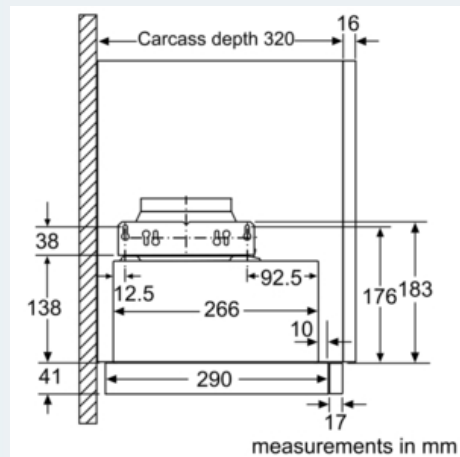
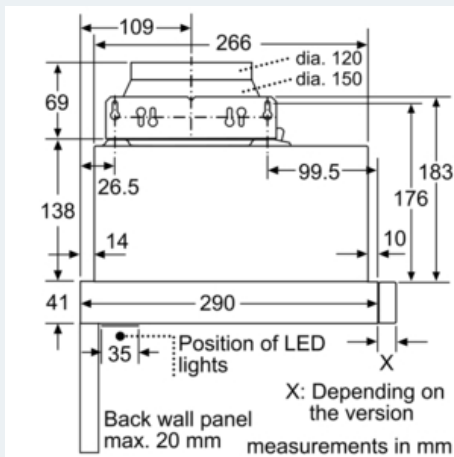
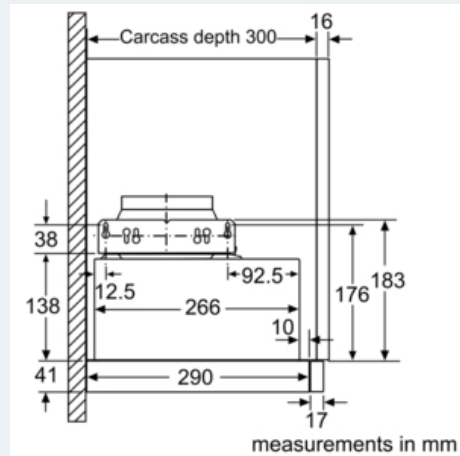
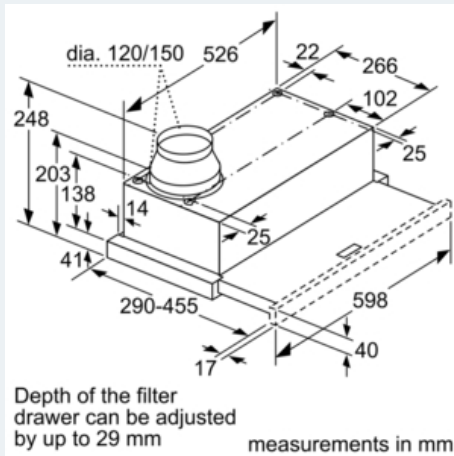
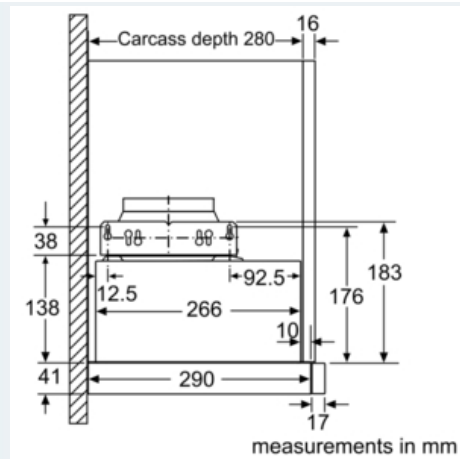
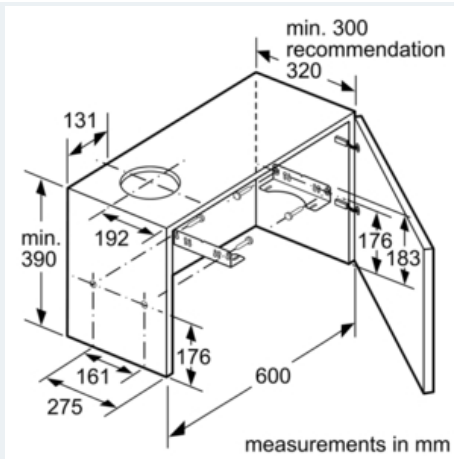
Performance/technical information

- Suitable for ducted and re-circulating operation
- For recirculated extraction recirculating kit or CleanAir recirculating kit (accessory) needed
- Extraction rate according to EN 61591 ø 15 cm:
max. Normal use 270 m³/h
Intensive 420 m³/h
- Noise level according to EN 60704-3 and EN 60704-2-13 exhaust air:
Max. normal use: 59 dB(A) re 1 pW (45 dB(A) re 20 µPa sound pressure)
Intensive: 69 dB(A) re 1 pW (55 dB(A) re 20 µPa sound pressure)
- 3 x power levels plus intensive setting
- Power rating: 76 W
- Automatic intensive revert
- Noise max. Normal Level: 59 dB*
- Extractor hose 150 mm
- Dimensions (WxD): 598 x 290 mm
- built-in dimensions (HxWxD): 162 x 526 x 290 mm
- Dimensions exhaust air (HxWxD): 203-203 x 598 x 290 mm
- Diameter pipe ø 150 mm (ø 120 mm enclosed)
- Light Intensity: 683 lux
- Colour Temperature: 3500 K
- Average Energy Consumption: 20.1 kWh/year*
- Energy Efficiency Class: A*
- Blower Efficiency Class: A*
- Lighting Efficiency Class: A*
- Grease Filtering Efficiency Class: C*

* In accordance with the EU-Regulation No 65/2014

iQ300
Slimline cooker hood
LI64MA530B Silver metallic lacquer
Extractor hood with telescopic canopy

Dimensioned drawings



iQ300

Slimline cooker hood

LI64MA530B Silver metallic lacquer

Extractor hood with telescopic canopy

Dimensioned drawings

