

## Serie | 6 Refrigeration

### Built-in fridge KUR15A50GB



### The built-under refrigerator with MultiBox: ideal storage location for your fresh fruits and vegetables.

- **MultiBox:** ideal storage location for fruits and vegetables.
- **Extra deep door trays:** extra room for large bottles and containers.
- **SafetyGlass:** very stable shelves made of easy-to-clean glass.

#### Technical Data

|   |                        |
|---|------------------------|
| Construction type :   | Built-in               |
| Door panel options :  | Possible but accessory |
| Height (mm) :   | 820                    |
| Width of the product (mm) :                                 | 598                    |
| Depth of the product :                                      | 548                    |
| Required niche size for installation (HxWxD) :              | 820 x 600 x 550        |
| Net weight (kg) :   | 33.0                   |
| Connection rating (W) :                                     | 90                     |
| Current (A) :   | 13                     |
| Door hinge :  | Right reversible       |
| Voltage (V) :   | 220-240                |
| Frequency (Hz) :  | 50                     |
| Approval certificates :                                     | VDE                    |
| Length of electrical supply cord (cm) :                     | 230                    |
| Number of compressors :                                     | 1                      |
| Number of independent cooling systems :                     | 1                      |
| Interior ventilator :                                       | No                     |
| Reversible Door Hinge :                                     | Yes                    |
| Number of Adjustable Shelves in fridge compartment (Stck) : | 3                      |
| Shelves for Bottles :                                       | No                     |
| EAN code :  | 4242002650173          |
| Brand :   | Bosch                  |
| Product name / Commercial code :                            | KUR15A50GB             |
| Product category :  | Refrigerator           |
| Energy efficiency :   | A+                     |
| Energy consumption annual (kWh/annum) - NEW (2010/30/EC) :  | 118                    |
| Refrigerator Net capacity (l) - NEW (2010/30/EC) :          | 137                    |
| Freezer Net capacity (l) - NEW (2010/30/EC) :               | 0                      |
| Frost free system :   | No                     |
| Freezing capacity (kg/24h) - NEW (2010/30/EC) :             | 0                      |
| Noise level (dB) :  | 38                     |
| Climate class :   | SN-ST                  |
| Installation type :   | Built-under            |

#### Included accessories

1 x egg tray



4 242002 650173

## Serie | 6 Refrigeration

### **Built-in fridge KUR15A50GB**

**The built-under refrigerator with MultiBox:  
ideal storage location for your fresh fruits  
and vegetables.**

---

#### **Performance and Consumption**

- Energy efficiency class: A+
- Energy Efficiency Class: A+ kWh/yr: 0.321 kwh
- Total net capacity: 137 litres
- Noise level dB(A) re 1 pW: 38

#### **Design features**

- Right hinged door, door reversible
- Fixed hinge
- Mechanical control
- Interior fridge light (1x 25 Watt)
- Removable magnetic door seals - easy to clean
- 1 compressor

#### **Food freshness system**

- 2 MultiBox drawers

#### **Key features - Fridge section**

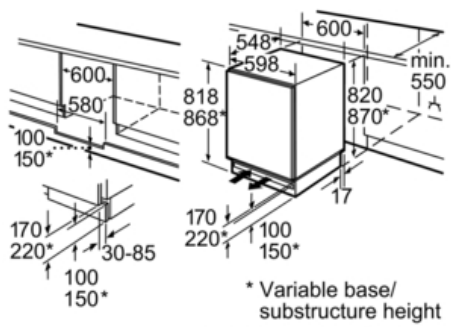
- 3 removable safety glass shelves
- 1 removable door storage compartments.
- 1 dairy compartment in door
- Automatic defrost fridge

#### **Dimension and installation**

- Climate class SN-ST (suitable for ambient temperatures between 10 to 38°C)
- Connection value 90 W
- Dimensions: 82 cm H x 59.8 cm W x 54.8 cm D
- Niche Dimensions: 82 cm H x 60 cm W x 55 cm D

## Serie | 6 Refrigeration

### Built-in fridge KUR15A50GB



Space for electrical connection next to the appliance on the left or right-hand side.  
Ventilation space in the base.

Measurements in mm