

**iQ700**  
**Brand Value Class: IQ700**  
**Oven with Added Steam**  
**HR678GES6B black, stainless steel**



"The oven offers modern baking and roasting convenience for best results."

- ✓ activeClean: the automatic system for effortless cleaning.
- ✓ The addedSteam function: for crispy crusts and juicy roasts.
- ✓ TFT Touchdisplay Plus: clear text display and intuitive operation.
- ✓ Connect: Access and control your oven, no matter where you are - with the easy-to-use Home Connect App
- ✓ 4D hotAir: flexible choice of shelf.
- ✓ roastingSensor Plus: simply reliable roasting.

### Features

#### Technical Data

Color / Material Front : Stainless steel  
 Design : Built-in  
 Integrated Cleaning system : Pyrolytic  
 Required niche size for installation (HxWxD) : 585 x 560 x 550  
 Dimensions of the product (mm) : 595 x 594 x 548  
 Control Panel Material : Stainless steel  
 Door Material : Glass  
 Net weight (kg) : 47.0  
 Usable volume of cavity (l) : 71  
 Heating Types : , 4D hot air, Bottom heat, Conventional heat, Deep-frozen food special, Dehydrate, Full width grill, Half width grill, Hot Air-Eco, Hot air grilling, Intensive heat, low temperature cooking, Pizza setting, pre-heating, warming  
 First cavity material : Enamelled  
 Temperature control : electronic  
 Number of interior lights : 3  
 Approval certificates : CE, VDE  
 Length of electrical supply cord (cm) : 120  
 EAN code : 4242003794852  
 Number of cavities (2010/30/EC) : 1  
 Energy efficiency : A+: efficient  
 Energy consumption per cycle conventional (2010/30/EC) : 0.87  
 Energy consumption per cycle forced air convection (2010/30/EC) : 0.69  
 Energy efficiency index (2010/30/EC) : 81.2  
 Electrical connection rating (W) : 3600  
 Current (A) : 16  
 Nominal power (kW) : 220-240  
 Frequency (Hz) : 50; 60  
 Plug type : no plug

#### Included accessories



## iQ700

## Brand Value Class: IQ700

## Oven with Added Steam

## HR678GES6B black, stainless steel

## Features

**Design**

- Stainless steel control dial
- Bar handle
- Drop down oven door, softClose, softOpen
- Cavity inner surface: Enamel anthracite

**Key Information**

- WLAN - Home connect enabled
- activeClean cleaning
- bakingSensor  
roastingSensor Plus
- 5.7" TFT touchDisplay Plus
- Drop down oven door, softClose, softOpen
- TFT clearText display
- Digital temperature display with proposal  
Actual temperature display  
Heating-up indicator  
Sabbath setting
- Light on/off when door opened/closed
- Electronic door lock  
Control panel lock  
Automatic safety switch off  
Residual heat indicator  
start button  
Door contact switch
- Residual heat indicator
- Control panel lock

**Features**

- Electronic oven clock timer
- Main on/off switch
- Full glass inner door
- 3 interior lights
- Multilevel LED illumination, LED illumination
- Smooth enamelled oven interior, Removable wire shelf support rails
- 5 shelf positions in oven
- Integral cooling fan
- Tank empty indicator

**Programmes/functions**

- Oven with 15 heating methods: 4D hot air, hotairEco, conventional oven, Conventional heat ECO, hot air grilling, full width grill, half width grill, intensive hot air, coolStart, bottom heat, intensive

conventional heat, low temperature cooking, keep warm, dehydrate, plate warming

- Additional heating methods with steam: reheating, Dough proving
- Additional heating methods with microwave:
- Additional functions:  
automatic moistening  
Descaling programme  
Cleaning programme  
Drying function  
autom. boiling point detection
- Fast pre-heating function
- cookControl Plus

**Performance/technical information**

- Cavity volume: 71 litres
- Water tank capacity: 1 litre
- Temperature range 30 °C - 300 °C
- Maximum door temperature 30 °C
- Location of the steam generator is outside of the cavity
- Energy efficiency rating A+
- Energy efficiency rating (acc. EU Nr. 65/2014):  
Energy consumption per cycle in conventional mode: 81.2  
Energy consumption per cycle in fan-forced convection mode: 0.69  
kwh  
Number of cavities: 1  
Heat source: electrical  
Cavity volume: 71 litres
- Length of mains cable: 120 cm
- Total connected load electric: 3.6 KW
- Appliance dimension (hxwxd): 595 mm x 594 mm x 548 mm
- Niche dimension (hxwxd): 585 mm - 595 mm x 560 mm - 568 mm x 550 mm
- Please reference the built-in dimensions provided in the installation drawing

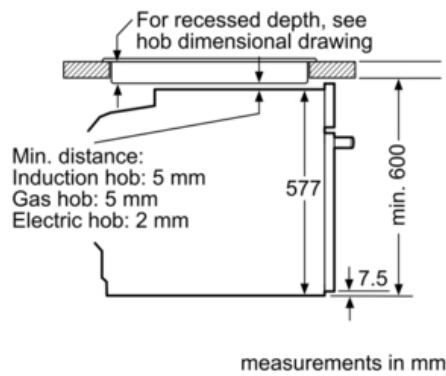
**Standard accessories**

- 1 x combination grid, 1 x universal pan
- Pull out system: Cavity with shelf support rails

**iQ700**  
**Brand Value Class: IQ700**  
**Oven with Added Steam**  
**HR678GES6B black, stainless steel**

Dimensioned drawings

Installation with a hob.



If the appliance will be installed underneath a hob, the following worktop thicknesses (including substructure if necessary) must be taken into account.

Hob type	min. worktop thickness	
	fitted	flush
Induction hob	37 mm	38 mm
Full surface induction hob	47 mm	48 mm
Gas hob	30 mm	34 mm
Electric hob	27 mm	30 mm

