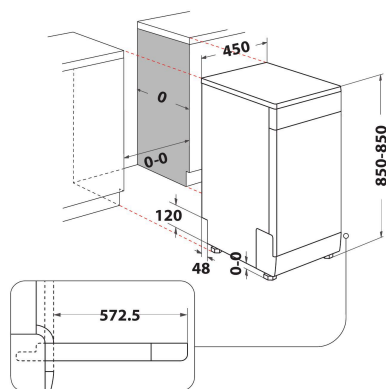


# HSFO 3T223 W X UK N

12NC: 869991616240

GTIN (EAN) code: 5054645616244

**Hotpoint**



## MAIN FEATURES

|                                       |                      |
|---------------------------------------|----------------------|
| Construction type                     | Free-standing        |
| Installation type                     | Free-standing        |
| Type of control                       | Electronic           |
| Type of control settings              | -                    |
| Removable work top                    | Yes                  |
| Main colour of product                | Inox                 |
| Electrical connection rating (W)      | 1900                 |
| Current (A)                           | 13                   |
| Voltage (V)                           | 220-240              |
| Frequency (Hz)                        | 50                   |
| Length of Electrical Supply Cord (cm) | 130                  |
| Plug type                             | UK                   |
| Length inlet hose (cm)                | 155                  |
| Length outlet hose (cm)               | 150                  |
| Adjustable feet                       | Yes - all from front |
| Height of the product                 | 850                  |
| Width of the product                  | 450                  |
| Depth of the product                  | 590                  |
| Minimum niche height                  | 820                  |
| Maximum niche height                  | 900                  |
| Minimum niche width                   | 450                  |
| Maximum niche width                   | 600                  |
| Niche depth                           | 590                  |
| Net weight (kg)                       | 39.5                 |
| Gross weight (kg)                     | 41.5                 |

## TECHNICAL FEATURES

|   |            |
|---|------------|
| Automatic programmes                            | Yes        |
| Maximum temperature for water intake (°C)       | 60         |
| Start delay options                             | Continuous |
| Start delay time max. (h)                       | 24         |
| Progress indicator                              | -          |
| Digital countdown indicator                     | Yes        |
| Salt light indicator                            | Yes        |
| Rinse aid light indicator                       | Yes        |
| Safety device                                   | Yes        |
| Adjustable upper basket                         | Yes        |
| Largest loadable dish upper basket (cm)         | 0          |
| Largest loadable dish lower basket (cm)         | 0          |
| Maximum number of place settings (EU 2017/1369) | 10         |
| Column installation                             | No         |

## PERFORMANCES

|   |      |
|---|------|
| Energy Efficiency Class (Regulation (EU) 2017/1369)                           | E    |
| Energy Consumption for 100 cycles Eco Programme (EU 2017/1369)                | 76   |
| Power consumption in standby mode (Psm) (EU 2017/1369)                        | 0,50 |
| Power consumption in off-mode (Po) (EU 2017/1369)                             | 0,00 |
| The water consumption of the eco programme in liters per cycle (EU 2017/1369) | 9,0  |
| Airborne acoustical noise emissions (EU 2017/1369)                            | 43   |
| Airborne acoustical noise emission class (EU 2017/1369)                       | B    |
| Programme duration in HMM (EU 2017/1369)                                      | 4:00 |