

**Serie | 6, Canopy cooker hood, 70 cm,
Stainless steel
DHL785CGB**



Optional accessories

DHZ5316 : Standard odor filter (replacement)
DHZ5605 : Standard recirculation kit
DWZ0IT0P0 :
DWZ1IT1D1 : Long Life recirculation kit external
DWZ1IX1B6 : Clean Air Plus odor filter (replacement)
DWZ1IX1C6 : Clean Air Plus recirc. kit external



Canopy cooker hoods are designed to be fully integrated for more flexibility when planning your kitchen.

- **LED Illumination:** The energy-saving lighting provides bright and clear lighting for the hob area.
- **Intensive speed setting:** removes strong kitchen odours quickly and effectively.
- An impressive extraction rate of m³/h ensures this hood will have your kitchen odour free in no time.
- **Intensive speed setting with reset:** automatically resets the hood to normal speed setting
- Dishwasher safe aluminum mesh filters

Technical Data

Typology : Built-in/Built-under
Approval certificates : CE, VDE
Length of electrical supply cord : 150 cm
Required niche size for installation (HxWxD) : 418mm x 676.0mm x 264mm mm
Minimum distance above an electric hob : 500 mm
Minimum distance above a gas hob : 650 mm
Net weight : 9.063 kg
Type of control : Electronic
Maximum output air extraction : 630 m³/h
Boost position output recirculating : 664 m³/h
Maximum output recirculating air : 571 m³/h
Boost position air extraction : 730 m³/h
Number of lights (Stck) : 2
Noise level : 66 dB(A) re 1 pW
Diameter of air outlet : 120 / 150 mm
Grease filter material : Washable aluminium
EAN code : 4242002831206
Connection rating : 277 W
Fuse protection : 3 A
Voltage : 220-240 V
Frequency : 50 Hz
Plug type : GB plug
Installation type : Built-in



Serie | 6, Canopy cooker hood, 70 cm, Stainless steel DHL785CGB

Canopy cooker hoods are designed to be fully integrated for more flexibility when planning your kitchen.

Key Information

- Energy Efficiency Class: C (at a range of energy efficiency classes from A+++ to D)
- Extraction rate exhaust air according to EN 61591: max. normal use 630 m³/h, intensive 730 m³/h
- Noise max. Normal Level: Noise, max. speed in normal us: 66 dB dB*

Features

- Soft touch button control with Electronic display
- 3 power levels & intensive setting
- Automatic intensive revert (6mins)
- 2 x 1W LED
- 2 removable metal grease filter cassettes
- Filter cover stainless steel, Removable metal grease filters

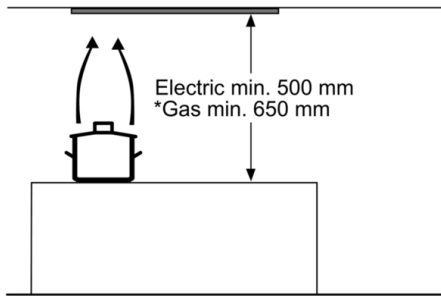
Design

- Installation: Cabinet
- Brushed steel
- 70 cm wide
- Rim ventilation

Performance/technical information

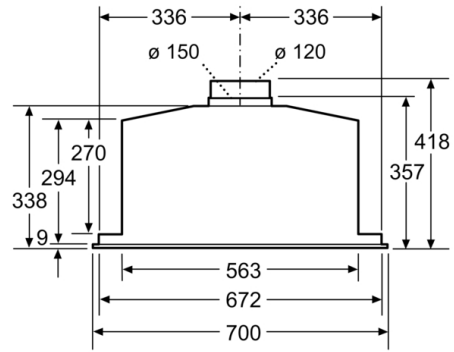
- Suitable for ducted or recirculating operation
 - For recirculated extraction recirculating kit or CleanAir recirculating kit (accessory) needed
 - Extraction rate according to EN 61591 ø 15 cm: max. Normal use 630 m³/h Intensive 730 m³/h
 - Noise level according to EN 60704-3 and EN 60704-2-13 exhaust air: Max. normal use: 66 dB(A) re 1 pW Intensive: 69 dB(A) re 1 pW
 - With the Clean Air Plus recirculation kit (available as optional accessory) your appliances reaches: Extraction rate in recirculation mode: Max. normal use: 571 m³/h Intensive: 664 m³/h Noise level in recirculation mode: Max. normal use: 72 dB(A) re 1 pW Intensive: 75 dB(A) re 1 pW
 - Power rating: 277 W
 - Light Intensity: 244 lux
 - Colour Temperature: 4000 K
 - Blower Efficiency Class: C*
 - Lighting Efficiency Class: A*
 - Grease Filtering Efficiency Class: D*
 - Average Energy Consumption: 104.2 kWh/year*
 - Diameter pipe ø 150 mm (ø 120 mm enclosed)
 - Dimensions exhaust air (HxWxD): 418-418 x 700 x 300 mm
 - Dimensions recirculating (HxWxD): 418-418 x 700 x 300 mm
- * In accordance with the EU-Regulation No 65/2014

**Serie | 6, Canopy cooker hood, 70 cm,
Stainless steel
DHL785CGB**

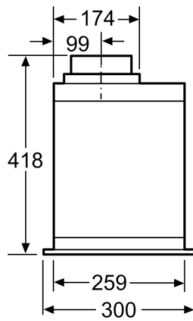


* from upper edge of pan support

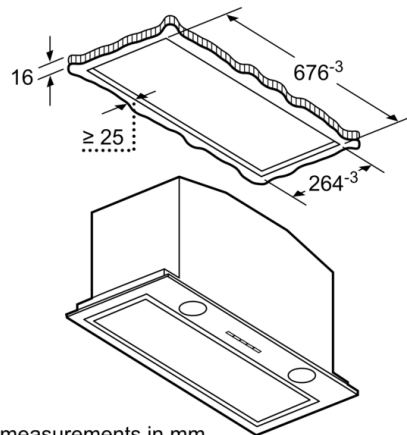
measurements in mm



measurements in mm



measurements in mm



measurements in mm