

N 90, Ceiling cooker hood, 90 cm, White  
I97CPS8W5B



COOKING PASSION SINCE 1877



A



Flush with the ceiling, the stylish integrated ceiling hood leaves room for an open and clear kitchen

- ✓ Fully Automatic Hood – Takes control as soon as you switch on the hob.
- ✓ Cooktop-based Hood Control – Adjust your hood's extraction level and lighting.
- ✓ Adjustable LED White Colour Temperature – easily adjust the light to the shade that's right for your kitchen
- ✓ Dimmer Function – dim the LED light conveniently with the button on the remote control
- ✓ Remote Control – comfortably control the ceiling hood with a remote

#### Features

##### Technical Data

Typology : Island/Ceiling

Approval certificates : CE, E17D UKCA marking, VDE

Length of electrical supply cord : 130 cm

Required niche size for installation (HxWxD) : 299mm x 888.0mm x 487mm mm

Minimum distance above an electric hob : 650 mm

Minimum distance above a gas hob : 650 mm

Net weight : 25.354 kg

Type of control : Electronic

Number of speed settings : 3-stage + 2 intensive

Maximum output air extraction : 459 m<sup>3</sup>/h

Boost position output recirculating : 637.0 m<sup>3</sup>/h

Maximum output recirculating air : 419 m<sup>3</sup>/h

Boost position air extraction : 933 m<sup>3</sup>/h

Number of lights (Stck) : 4

Noise level : 56 dB(A) re 1 pW

Diameter of air outlet : 150 mm

EAN code : 4242004238140

Connection rating : 264 W

Voltage : 220-240 V

Frequency : 50; 60 Hz

Plug type : GB plug

Installation type : Island

#### Optional accessories

- Z52JCC1N6 Clean Air Plus recirc. kit external inox
- Z52JCC1W6 Clean Air Plus recirc. kit external white
- Z52JCD0N0 Long Life recirc. kit external inox
- Z52JCD0W0 Long Life recirc. kit external white
- Z53XXB1X6 Clean Air Plus odor filter (replacement)



4 242004 238140

## Features

### Key performance features:

- Energy Efficiency Class: A (at a range of energy efficiency classes from A+++ to D)
- Extraction rate according to EN 61591  $\varnothing$  15 cm:  
max. Normal use 458 m<sup>3</sup>/h  
Intensive 933 m<sup>3</sup>/h
- Noise max. Normal Level: Noise, max. speed in normal us: 56 dB dB\*

### Special features

- Climate Control Sensor
- Hob-Hood control (with Wi-Fi enabled hob)
- Remote Monitoring and Control for connected home appliances and operation via smartphone or tablet (only in countries where Home Connect service is available)
- The Home Connect functionality can be extended by integrating numerous applications from external cooperation partners (partnerships)
- Voice Control enabled via popular voice assistants (only in countries where this service is available)
- Adjustable color temperature (2.700 K - 5.000 K) for adaption to the room lighting available via Home Connect
- Interval function: available via Home Connect
- Silence function: available via Home Connect
- Fully automatic hood

### Features

- 3 power levels and 2 intensive settings
- Infrared remote control
- LED display
- Twin channel high performance fan motor
- Efficient BLDC technology
- Stylish LED lighting behind glass
- 4 x 3W LED lights
- softLight with dimmer function
- Interval operation
- Automatic after running (Automatic after running (10 minutes))
- Automatic intensive revert (6mins)
- 2 metal grease filter cassettes
- Saturation indicator for metal and charcoal filter
- easy to clean Inner frame
- Rim ventilation

### Design

- Installation: Ceiling
- Rotatable motor: possible to position the air outlet on all four sides
- Filter cover glass, metal grease filter
- Electronic controls

### Performance/technical information

- Suitable for ducted extraction and recirculation
- For recirculated extraction CleanAir recirculating kit (accessory) needed
- Extraction rate according to EN 61591 max. 933 m<sup>3</sup>/h
- Noise level according to EN 60704-3 and EN 60704-2-13 at max. normal use exhaust air: 56 dB(A) re 1 pW
- Noise level according to EN 60704-3 and EN 60704-2-13 exhaust air:  
Max. normal use: 56 dB(A) re 1 pW  
Intensive: 70 dB(A) re 1 pW
- Noise level according to EN 60704-3 and EN 60704-2-13 at maximum normal setting: extraction rate: 56 dB (A) re 1pW
- With the Clean Air Plus recirculation kit (available as optional accessory) your appliances reaches:  
Extraction rate in recirculation mode:  
Max. normal use: 419 m<sup>3</sup>/h  
Intensive: 637 m<sup>3</sup>/h  
Noise level in recirculation mode with Clean Air Plus odor filter :  
Max. normal use: 63 dB(A) re 1 pW  
Intensive: 72 dB(A) re 1 pW
- Power rating: 264 W
- Light Intensity: 682 lux
- Electrical cable length 1.3 m
- Diameter pipe  $\varnothing$  150 mm ( $\varnothing$  150 mm enclosed)
- Dimensions exhaust air (HxWxD): 300-300 x 900 x 500 mm
- Blower Efficiency Class: A\*
- Lighting Efficiency Class: A\*
- Grease Filtering Efficiency Class: B\*
- Average Energy Consumption: 43.9 kWh/year\*

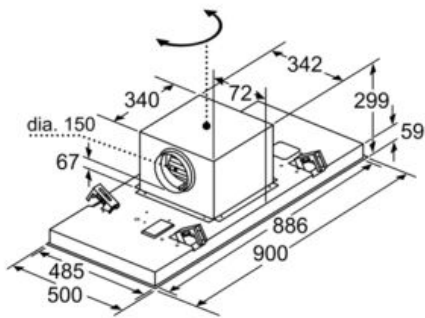
### Optional accessories

- Recirculating kit Z50XXPOX0

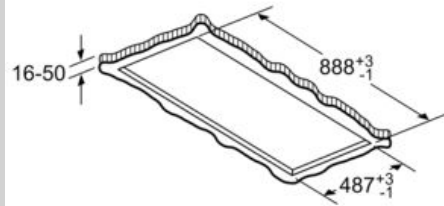
\* In accordance with the EU-Regulation No 65/2014

Dimensioned drawings

The fan outlet can be turned in all four directions



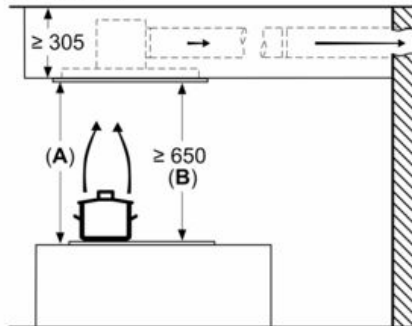
measurements in mm



Never fit directly onto plasterboard or similar lightweight construction materials of the suspended ceiling. A suitable substructure is required that is securely fixed to the concrete ceiling.

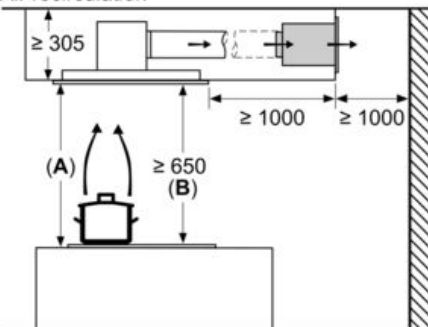
measurements in mm

measurements in mm  
Air extraction



**A:** Optimum performance 700-1500  
**B:** From upper edge of pan support

measurements in mm  
Air recirculation



**A:** Optimum performance 700-1500  
**B:** From upper edge of pan support