

H 2265-1 B ACTIVE

Oven  
with a timer, XL oven compartment & PerfectClean.



- 7-segment display with retractable rotary controls – EasyControl
- Particularly easy to clean - PerfectClean finish
- Lots of room and flexibility – 76 l oven capacity on 5 levels
- Protects against burns – touch-cool fronts
- Fewer fingerprints and easy to clean - CleanSteel

A<sup>+</sup>

EAN: 4002516156673 / material number: 11092980

<b>Model and design</b>	
Built-in oven	•
Appliance colour	Stainless steel/Clean Steel
Retractable knobs	•
<b>Convenience features</b>	
Rapid heat-up	•
<b>Operating modes</b>	
Defrosting	•
Grill operating modes	•
Grill	•
Fan plus	•
Intensive bake	•
Conventional heat	•
Bottom heat	•
Fan grill	•
<b>User convenience</b>	
Display	EasyControl
Timer functions	•
Time of day display	•
Minute minder	•
Programmable end of cooking duration	•
Actual temperature display	•
Target temperature display	•
Audible signal when target temperature is reached	•
Recommended temperature	•
Individual settings	•
<b>Efficiency and sustainability</b>	
Energy efficiency class (A+++ - D)	A+
<b>Cleaning convenience</b>	
Stainless steel/CleanSteel finish	•
Oven compartment with PerfectClean and catalytically enamelled liners	•
Hinged grill heater element	•
CleanGlass door	•
<b>Safety</b>	
Appliance cooling system and touch-cool fronts	•
Safety switch-off	•
System lock	•

H 2265-1 B ACTIVE

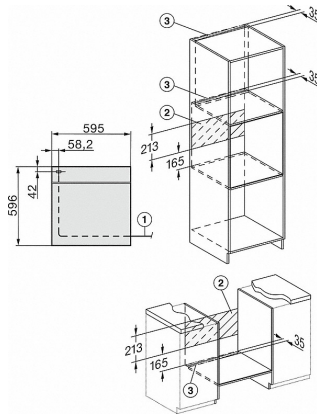
Oven  
with a timer, XL oven compartment & PerfectClean.



<b>Technical data</b>	
Oven compartment volume in l	76
No. of shelf levels	5
Numbered shelf levels	•
Oven light	1 halogen spot
Temperatures in °C	30
Appliance width in mm	595
Appliance height in mm	596
Appliance depth in mm	569
Weight in kg	42.0
Total rated load in kW	3.5
Voltage in V	220-240
Number of phases	1
Fuse rating in A	16
Length of supply lead in m	2
<b>Standard accessories</b>	
Universal tray with PerfectClean	1
Wire rack	1
Removable side runners (pair)	1

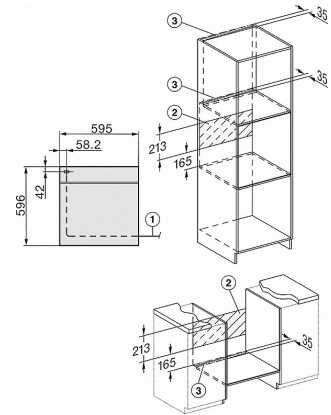
## H 2265-1 B ACTIVE

Oven  
with a timer, XL oven compartment & PerfectClean.



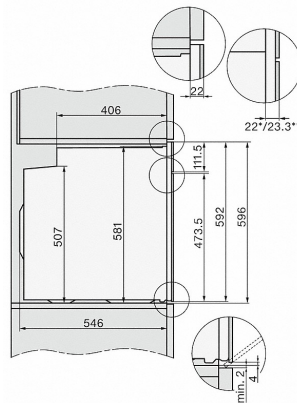
H226x-1B/BP/E/EP/I/IP, H2760B/BP, H28x0B/BP, H7x6xB/BP/BPX installation drawings

- 1) Netzanschlussleitung, L=1500 mm
- 2) In diesem Bereich kein Anschluss
- 3) Lüftungsausschnitt min. 150 cm<sup>2</sup>



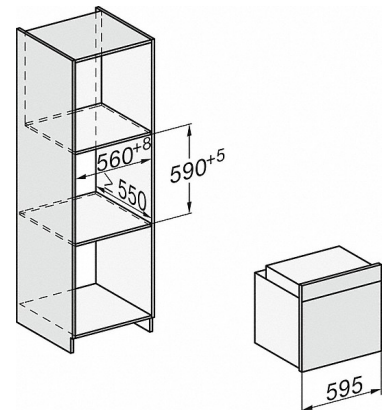
H226x-1B/BP/E/EP/I/IP, H2760B/BP, H28x0B/BP, H7x6xB/BP/BPX, installation drawings, GB, AUS

- 1) Netzanschlussleitung, L=1500 mm
- 2) In diesem Bereich kein Anschluss
- 3) Lüftungsausschnitt min. 150 cm<sup>2</sup>



H2760B/BP, H28x0B/BP, H7x6xB/BP/BPX, installation drawings

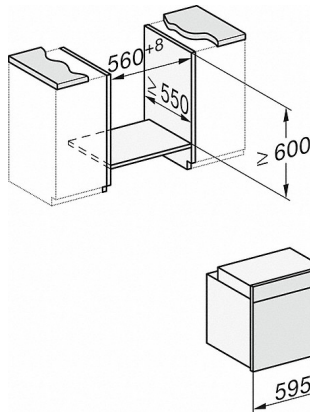
22 mm - glass  
23.3 mm - metal



H226x-1B/BP/E/EP/I/IP, H2760B/BP, H28x0B/BP, H7x6xB/BP/BPX, installation drawings

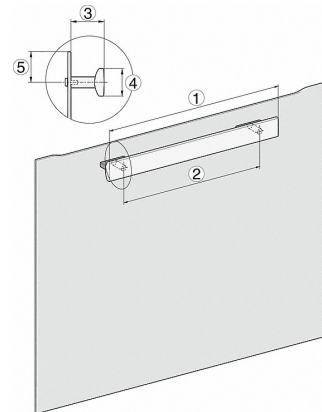
## H 2265-1 B ACTIVE

Oven  
with a timer, XL oven compartment & PerfectClean.



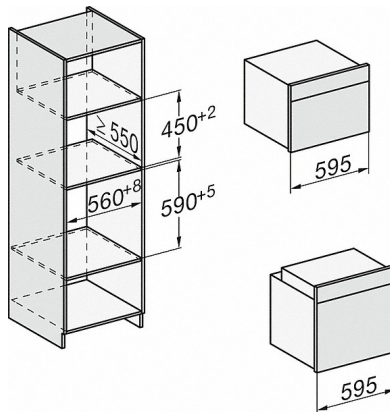
H226x-1B/BP/E/EP/I/IP, H2x6xB/BP, H7x6xB/BP/BPX, installation drawings

If the oven is to be installed under a hob, follow the instructions for installing the hob and the height of the hob.

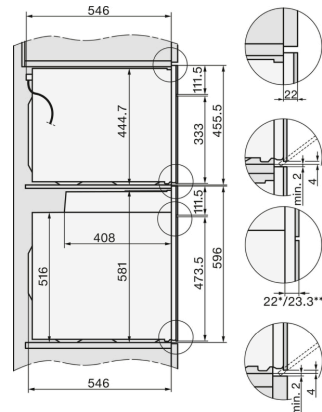


H226x-1B/BP/E/EP/I/IP, installation drawings

- 1) 400 mm
- 2) 360 mm
- 3) 42 mm
- 4) 27 mm
- 5) 32.5 mm



H226x-1B/BP/E/EP/I/IP, H2760B/BP, H28x0B/BP, H7x40BM/BMX, H7x6xB/BP/BPX, installation drawings

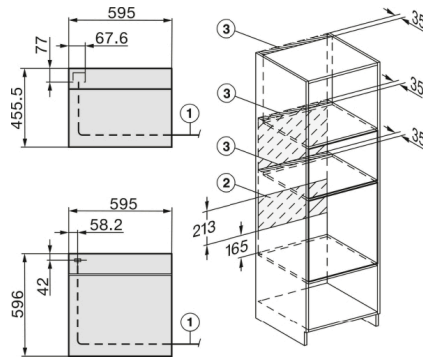


H2xxx-1 B/BP/E/I/IP, H7xxx B/BP/BM/BMX, installation drawings

- 22 mm - glass  
23,3 mm - metal

H 2265-1 B ACTIVE

Oven  
with a timer, XL oven compartment & PerfectClean.



H2xxx-1 B/BP/E/I/IP, H7xxx B/BP/BM/BMX, installation drawings

22 mm - glass  
23,3 mm - metal