

**Serie | 4, Built-in microwave oven, 59
x 38 cm, Stainless steel
BEL553MS0B**



Included accessories

1 x grid
1 x Turntable

**The built-in microwave for the 38 cm niche:
use it for thawing, heating and perfect
preparation of foods.**

- **Red LED display control:** easy-to-use thanks to clear time display.
- **Pop-out controls:** for an easy to clean front.
- **LED lighting:** perfect illumination of foods with minimum energy consumption.

Technical Data

Type of micro-wave oven :	MW+Grill function
Type of control :	Electronic
Color / Material Front :	Stainless steel
Dimensions :	382 x 594 x 388
Cavity dimensions (mm) :	208.0 x 328.0 x 369.0
Length of electrical supply cord (cm) :	130
Net weight (kg) :	18.845
Gross weight (kg) :	21.5
EAN code :	4242005066292
Maximum micro-wave power (W) :	900
Connection rating (W) :	1450
Current (A) :	10
Voltage (V) :	230-240
Frequency (Hz) :	50
Plug type :	GB plug



4 242005 066292

Serie | 4, Built-in microwave oven, 59 x 38 cm, Stainless steel BEL553MS0B

**The built-in microwave for the 38 cm niche:
use it for thawing, heating and perfect
preparation of foods.**

Design

- LED Display, red display
- Side opening door, left hinged
- 31.5 cm Glass turntable
- Cavity inner surface: stainless steel
- Electronic clock timer
- Rotary dial, Retractable control dials, Touch controls, round, Start button
- Touch key operation

Features

- Automatic safety switch off
Door contact switch
- AutoPilot, 8
- LED light
- Integral cooling fan
- Microwave and grill for separate use
- Electronic open button

Programmes/functions

- 900 W maximum microwave power and the following options
180 W, 360 W, 600 W, 90 W, 900 W
- 1.2 KW grill function
- 4 defrost and 3 cooking programmes in microwave function, 1
programmes for combination function
- 1 memory setting
- Grill and microwave power levels 90 W, 180 W, 360 W
combinable

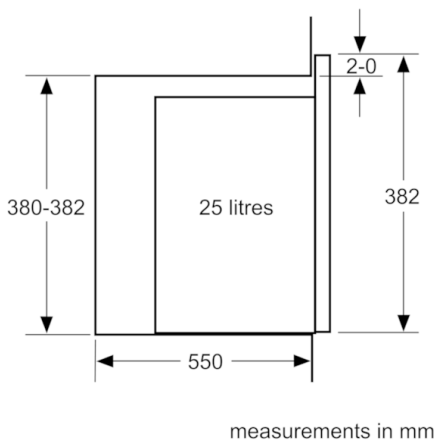
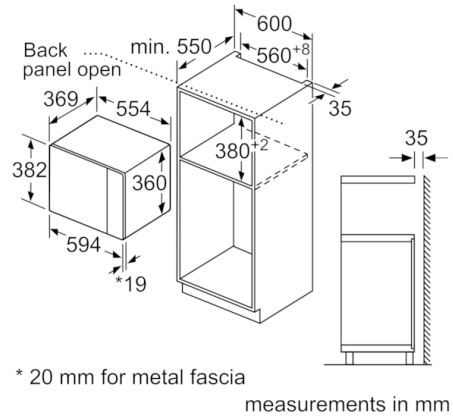
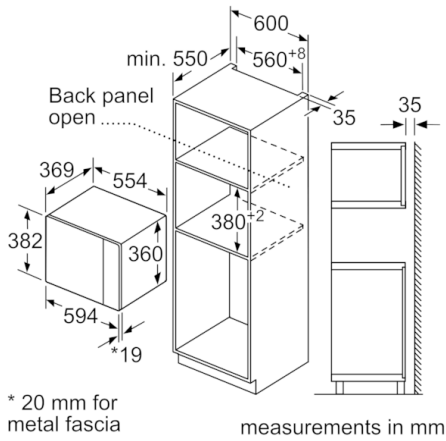
Accessories

- 1 x grid, 1 x Turntable

Performance/technical information

- Cavity volume: 25 l
- 130 cm Cable length
- Total connected load electric: 1.45 KW
- Nominal voltage: 230 - 240 V
- Appliance dimension (hxwx): 382 mm x 594 mm x 388 mm
- Niche dimension (hxwx): 380 mm - 382 mm x 560 mm - 568
mm x 550 mm
- Please refer to the dimensions provided in the installation
manual

**Serie | 4, Built-in microwave oven, 59 x 38 cm, Stainless steel
BEL553MS0B**



Microwave,
corner installation

