

**Serie | 6, Fully-integrated dishwasher,  
60 cm  
SMD6EDX57G**



**Better drying results and comfortable loading for all your difficult to place items with the Extra Space 3rd Basket.**

- **Home Connect:** home appliances with smart connectivity for an easier everyday life.
- **EfficientDry:** improved drying performance by automatic door opening.
- **Extra Space 3rd basket:** additional top rack providing more loading space for small kitchen items.
- **Extra Clean Zone:** extra thorough cleaning for heavily soiled items in the upper basket.
- **TimeLight:** program status and remaining time clearly displayed on floor in high resolution.

**Technical Data**

Energy Efficiency Class (Regulation (EU) 2017/1369):	D
Energy Consumption for 100 cycles Eco Programme (EU 2017/1369):	84
Maximum number of place settings (EU 2017/1369):	13
The water consumption of the eco programme in liters per cycle (EU 2017/1369):	9.5
Programme duration (EU 2017/1369):	4:35
Airborne acoustical noise emissions (EU 2017/1369):	42
Airborne acoustical noise emission class (EU 2017/1369):	B
Construction type:	Built-in
Height of removable worktop (mm):	0
Dimensions of the product (HxWxD):	815 x 598 x 550
Required niche size for installation (HxWxD):	815-875 x 600 x 550
Depth with open door 90 degree (mm):	1150
Adjustable feet:	Yes - all from front
Maximum adjustability feet (mm):	60
Adjustable plinth:	both horizontal and vertical
Net weight (kg):	43.830
Gross weight (kg):	46.0
Connection rating (W):	2400
Current (A):	10
Voltage (V):	220-240
Frequency (Hz):	50; 60
Length of electrical supply cord (cm):	175
Plug type:	GB plug
Length inlet hose (cm):	165
Length outlet hose (cm):	190
EAN code:	4242005270293
Installation type:	Full-integrated



**Optional accessories**

- SGZ1010 : inlet and outlet hose extention
- SMZ5003 : Retractable hinge f. high corpus dimens.
- SMZ5005 : Compensating + fixing kit, stainl. steel
- SMZ5035 : Decor conversion kit, stainless steel
- SMZ5300 : GlassSecure Tray



4 242005 270293

## Serie | 6, Fully-integrated dishwasher, 60 cm SMD6EDX57G

### Better drying results and comfortable loading for all your difficult to place items with the Extra Space 3rd Basket.

#### New for 2021

#### Performance

- Energy Efficiency Class<sup>1</sup>: D
- Energy<sup>2</sup> / Water<sup>3</sup>: 84 kWh / 9.5 litres
- Capacity: 13 place settings
- Programme duration<sup>4</sup>: 4:35 (h:min)
- Noise level: 42 dB(A) re 1 pW
- Noise Efficiency Class: B
- Noise level (silence programme): 39 dB(A) re 1 pW

#### Programmes / functions

- 8 programmes: Eco 50 °C, Auto 45-65 °C, Intensive 70 °C, Express 65°, Express 45 °C, Glass 40 °C, Silence 50 °C, Favourite
- Default favourite programme: Pre-Rinse
- 4 special options: Remote Start, EfficientDry, Intensive Zone, SpeedPerfect+
- Machine Care
- Silence on demand (via app)

#### Flexible design elements

- Max Flex baskets Basket system with red coloured touchpoints
- Extra Space 3rd Basket
- 2 stage Rackmatic height-adjustable top basket
- Smooth running wheels on upper basket
- Low friction wheels on bottom basket
- Anti-slip protection strips in upper basket
- Rack Stopper to prevent derailing of bottom basket
- 2 foldable plate racks in top basket
- 6 foldable plate racks in bottom basket
- Removable knife shelf in 3rd basket
- Moveable cutlery basket in lower rack
- Upper rack cup shelf
- Lower rack cup shelf

#### Innovations and technology

- Home Connect ready on WLAN
- Extra Clean Zone
- EfficientDry and Heat Exchanger
- DosageAssist detergent dispenser
- EcoSilence BLDC drive
- Automatic detergent detection
- AquaMix - Glass protection system
- Aqua and loading sensor

#### Design features

- Touch Control (metallic)
- Push button top edge controls
- TimeLight - Light projection on the floor
- DoorOpen Assist - perfectly designed for kitchens without handles
- Acoustic end of cycle indicator, Time remaining indicator (min), water inlet indicator
- Time delay (3, 6 or 24 hours)
- ChildLock - double push to open
- AquaStop: Bosch warranty in case of water damage - for the lifetime of the appliance. Please find warranty terms under <https://www.bosch-home.co.uk/customer-service/care-protection-and-parts/additional-warranties>
- Self-cleaning filter system with 3 piece corrugated filter
- Large item spray head, steam protection plate
- Stainless steel interior
- Dimensions (HxWxD): 81.5 x 59.8 x 55cm

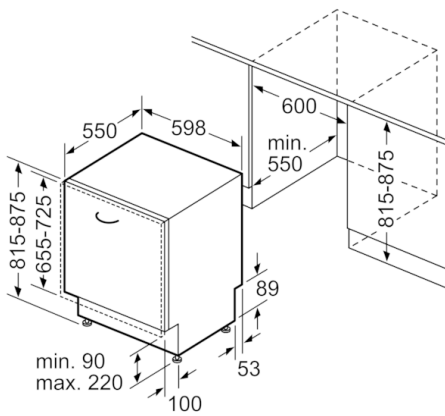
<sup>1</sup> Scale of Energy Efficiency Classes from A to G

<sup>2</sup> Energy consumption in kWh per 100 cycles (in programme Eco 50 °C)

<sup>3</sup> Water consumption in litres per cycle (in programme Eco 50 °C)

<sup>4</sup> Duration of programme Eco 50 °C

**Serie | 6, Fully-integrated dishwasher, 60 cm  
SMD6EDX57G**



measurements in mm