

iQ500, Built-in fridge-freezer with freezer at bottom, 177.2 x 55.8 cm KI87SAFE0G



A++



built-in fridge freezer, with lowFrost technology and hyperFresh plus Box to keep produce fresh up to twice as long.

- ✓ The hyperFresh plus Box with adjustable humidity keeps fruit and vegetables fresh for longer.
- ✓ Less frost formation and faster defrosting with lowFrost.
- ✓ The LED lights up the interior brightly and evenly.
- ✓ The bigBox offers plenty of space to store and stack large frozen items efficiently.
- ✓ The easyAccess glass shelves make loading easier and give you a better view of your food items.

Features

Technical Data

Construction type : Built-in
 Door panel options : Not possible
 Width of the appliance : 558
 Depth of the product : 545
 Required niche size for installation (HxWxD) : 1775.0 x 560 x 550
 Net weight (kg) : 62.447
 Connection rating (W) : 90
 Current (A) : 13
 Door hinge : Right reversible
 Voltage (V) : 220-240
 Frequency (Hz) : 50
 Approval certificates : CE, G-Mark, VDE
 Length of electrical supply cord (cm) : 230
 Storage Period in Event of Power Failure (h) : 26
 Number of compressors : 1
 Number of independent cooling systems : 2
 Interior ventilator : No
 Reversible Door Hinge : Yes
 Number of Adjustable Shelves in fridge compartment (Stck) : 4
 Shelves for Bottles : No
 EAN code : 4242003858523
 Brand : Siemens
 Product name / Commercial code : KI87SAFE0G
 Energy efficiency rating : A++
 Energy consumption annual (kWh/annum) - NEW (2010/30/EC) : 225.00
 Refrigerator Net capacity (l) - NEW (2010/30/EC) : 209
 Freezer Net capacity (l) - NEW (2010/30/EC) : 61
 Frost free system : No
 Temperature rise time (h) : 26
 Freezing capacity (kg/24h) - NEW (2010/30/EC) : 7
 Climate class : SN-T
 Noise level (dB(A) re 1 pW) : 36
 Installation type : Full-integrated

Optional accessories

KS10Z020 Bottle Rack



iQ500, Built-in fridge-freezer with freezer at bottom, 177.2 x 55.8 cm KI87SAFE0G

Features

Performance and Consumption

- Energy Efficiency Class: A++
- Energy consumption: 225 kWh/kWh/yr.
- Total net capacity: 270 l litres
- Noise level dB(A) re 1 pW: 36
- Climate class SN-T (suitable for ambient temperatures between 10 to 43°C)

Functions

- Bright interior LED fridge light

Design features

- LED display for fridge and freezer
- VitaControl - constant temperature by intelligent sensor technology - Constant temperature control by intelligent sensor technology
- Twin evaporators allows independent temperature control and ensures there is no transference of humidity between the fridge and freezer cavity.
- Super Cooling: automatic deactivation
- SuperFreeze with Manual/automatic activation
- Holiday mode
- Acoustic open door warning system
- Freezer malfunction warning signal: Optical and acoustical

Design features

- Net fridge capacity: 209 litres
- 5 safety glass shelves (4 height adjustable)
- 5 door trays, including 1x dairy compartment

Freshness System

- 1 hyperFresh plus box with adjustable humidity - keeps fruit and vegetables fresh for longer.

Food freshness system

- lowFrost - less ice creation and therefore quicker defrosting
- Net freezer capacity: 61 litres
- Freezing capacity in 24 hours: 7 kg
- Maximum freezer storage time in power failure: 26 hours
- Removable safety glass shelves for extra space
- 2 transparent freezer drawers, 1 bigBox

Dimension and installation

- Dimensions: 177.2 cm H x 55.8 cm W x 54.5 cm D
- Niche Dimensions: 177.5 cm H x 56 cm W x 55 cm D

Key features - Fridge section

- Right hinged door, door reversible
- Connection value 90 W
- 220 - 240 V
- Transportation handles

Key features - Freezer section

- KI87SAFE0G
- bottle holder in door tray

Value ad

- lowFrost - less ice creation and therefore quicker defrosting - less ice build up, faster defrosting
- 1 hyperFresh plus box with adjustable humidity - keeps fruit and vegetables fresh for longer.

- Vario shelf - useful storage when required
- Easy access shelf - easy access and everything in sight
- touch control - enduring elegance - perfectly under control

Country Specific Options

- Based on the results of the standard 24-hour test. Actual consumption depends on usage/position of the appliance.
- Gross capacity, total: 276 l
- Gross capacity cooling 212 l
- **** freezer (-18°C and below)

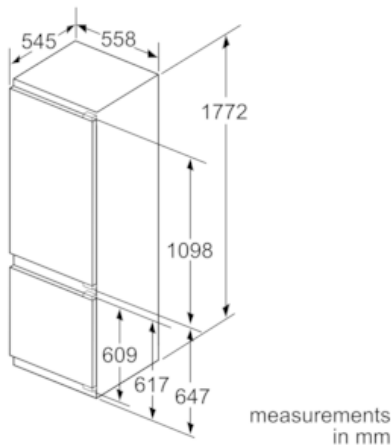
Design features

Dimension and installation

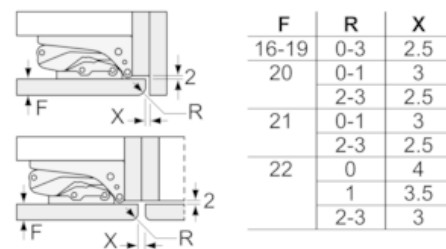
Additional features

iQ500, Built-in fridge-freezer with freezer at bottom, 177.2 x 55.8 cm KI87SAFE0G

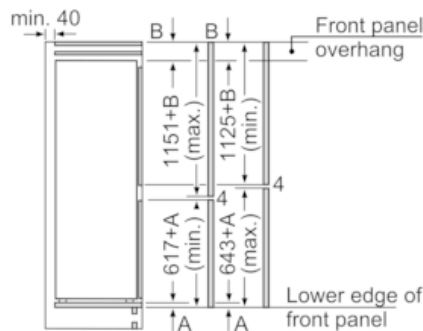
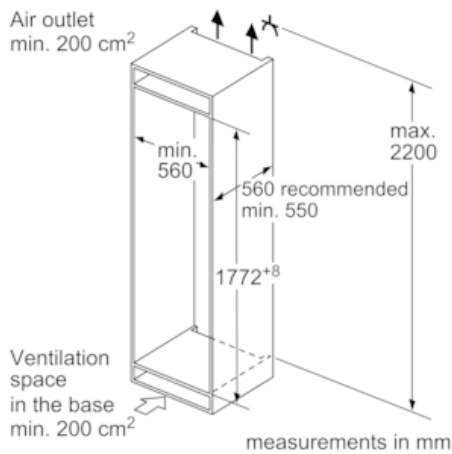
Dimensioned drawings



measurements in mm
Recommended gap dimensions for flat hinges



The gap dimensions recommended in the table must be adhered to in order to ensure that appliance doors do not collide with anything when they are opened, and to avoid causing damage to kitchen units.



The specified unit door dimensions are valid for a door gap of 4 mm.
measurements in mm